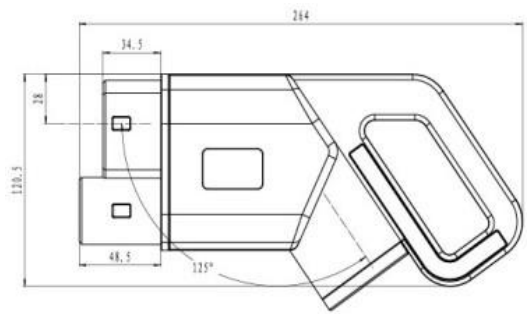
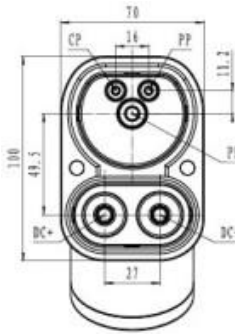


**Model No. : AR-3M-EV150P**  
**Product Name : CCS COMBO 2 Charging Plug**



**Product application :**

- Electric vehicle electrical connection

**Electrical Performance**

- Rated current : 150A
- Operation voltage : 1000V DC
- Insulation resistance : >2000MΩ(DC1000V)
- Terminal temperature rise : <50K
- Withstand Voltage : 3200V
- Contact Resistance : 0.5mΩ Max

**Mechanical properties**

- Mechanical life : no-load plug in / plug out > 10000times
- Impact of External force : can afford 1m drop and 2t vehicle run over pressure

**Features**

- Charging plug meet 62196-3 IEC 2011 SHEET 3-Im standard
- Housing massive structure promote protection performance
- Product entire insertion and extraction force < 100N
- LED shows working condition
- Product entire insertion and extraction force < 100N
- Protection class IP55
- Max charging power : 127.5kW

**Applied Materials**

- Case Material : Thermoplastic, flam retarant grade UL94 V-0
- Contact bush : Copper alloy, silver plating

**Environmental performance**

- Operating temperature : -30°C ~ +50°C

**Model selection and the standard wiring**

Model	Rated current	Cable specification
AR-3M-EV150P	150A	2 X 50mm <sup>2</sup> + 1 X 25mm <sup>2</sup> + 6 X 0.75mm <sup>2</sup>

